

DAWSON METAL CO



229-995-7058

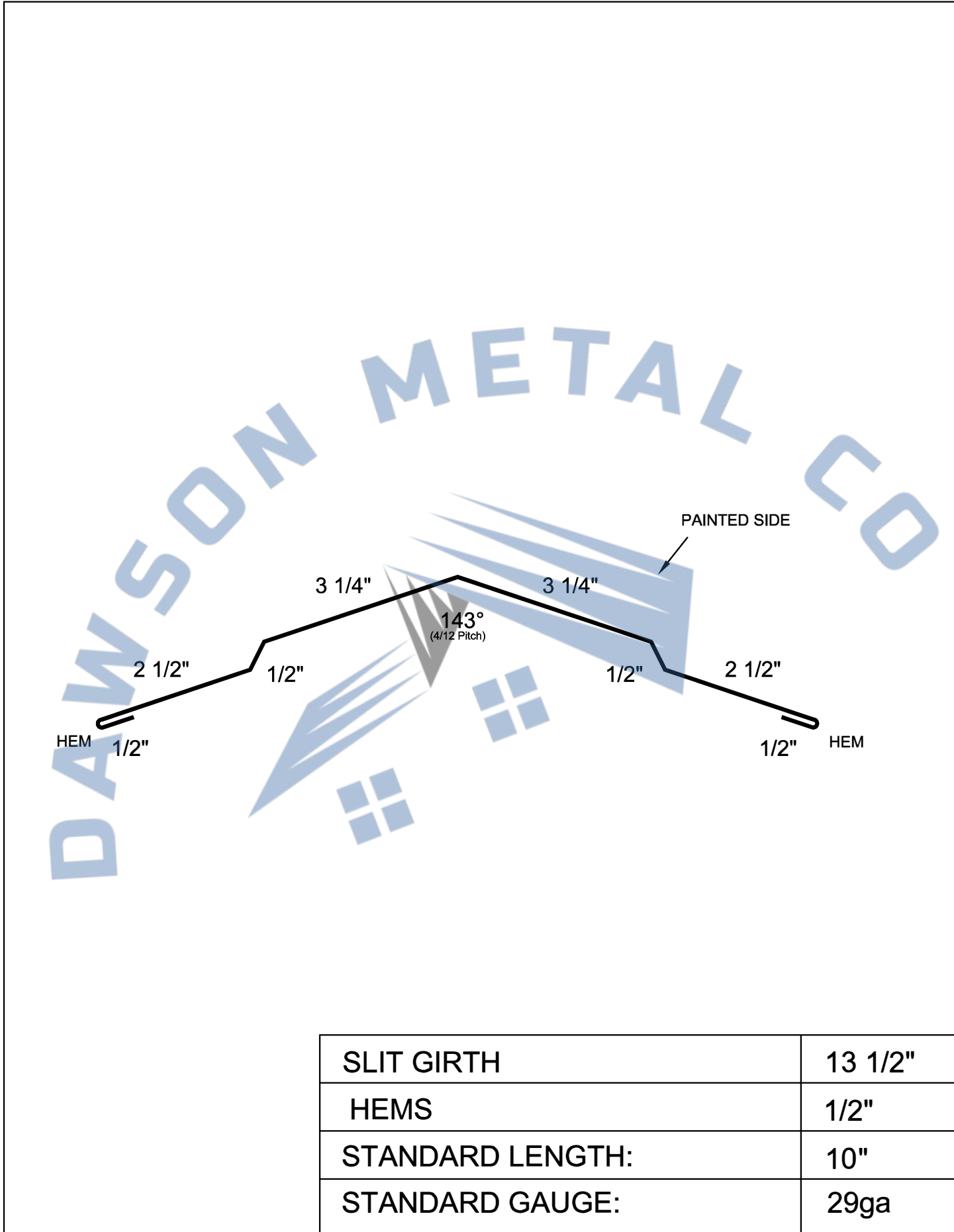
229-881-1382

"Better Prices, Better Service"

Panel: MasterRib

Trim Section: Ridge Cap

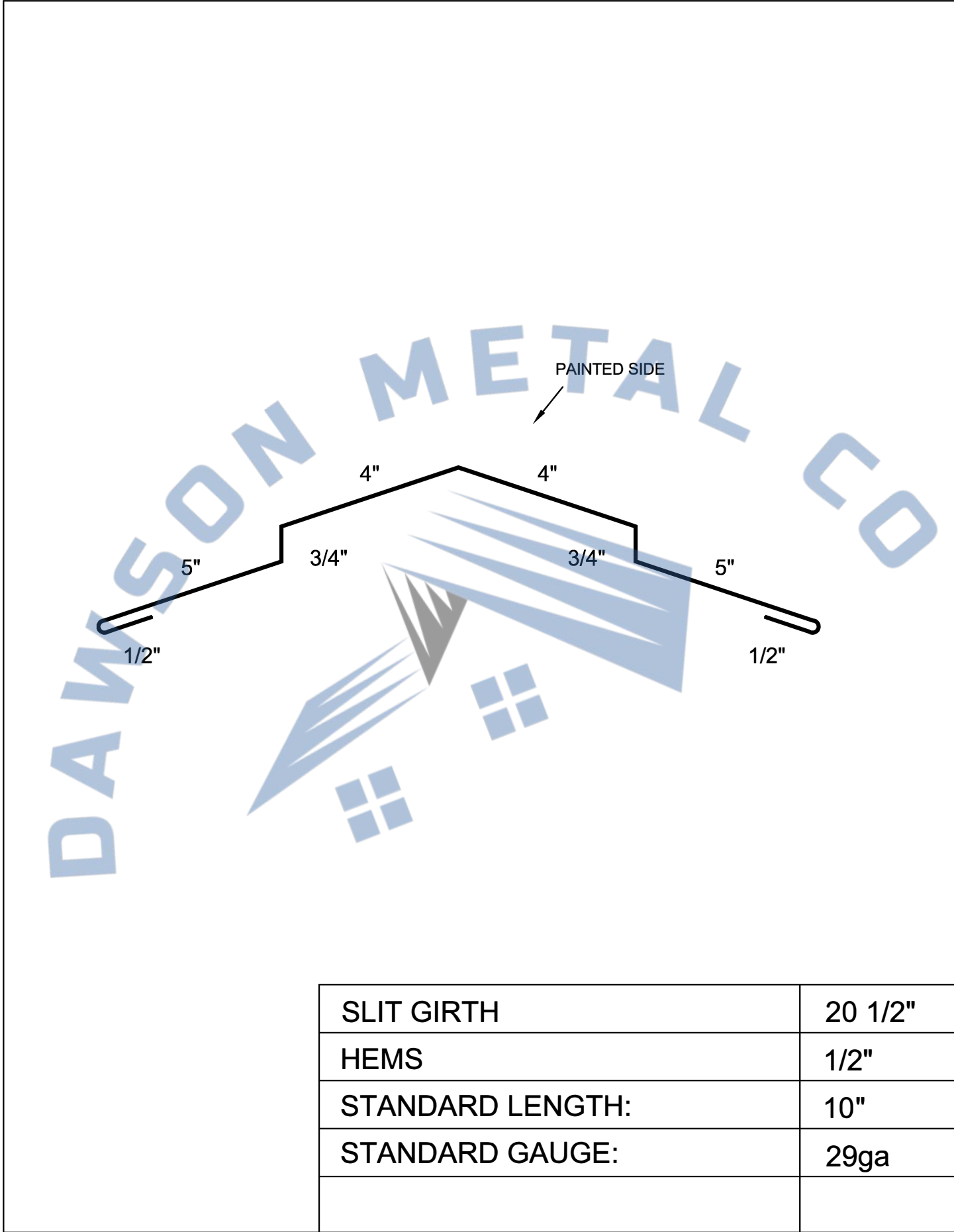
Standard Ridge Cap



Panel: MasterRib

Trim Section: Ridge Cap

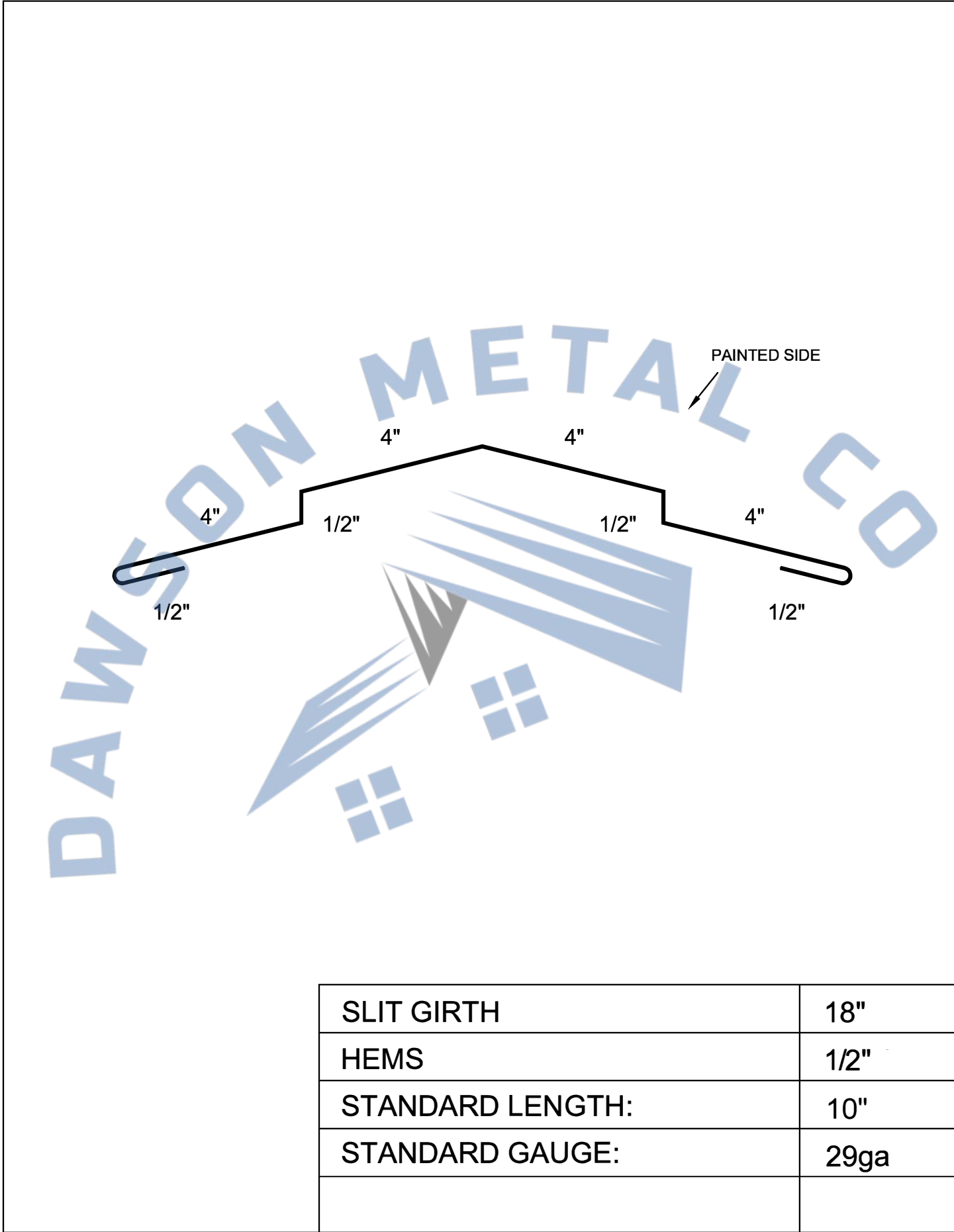
Deluxe Ridge Cap



Panel: MasterRib

Trim Section: Ridge Cap

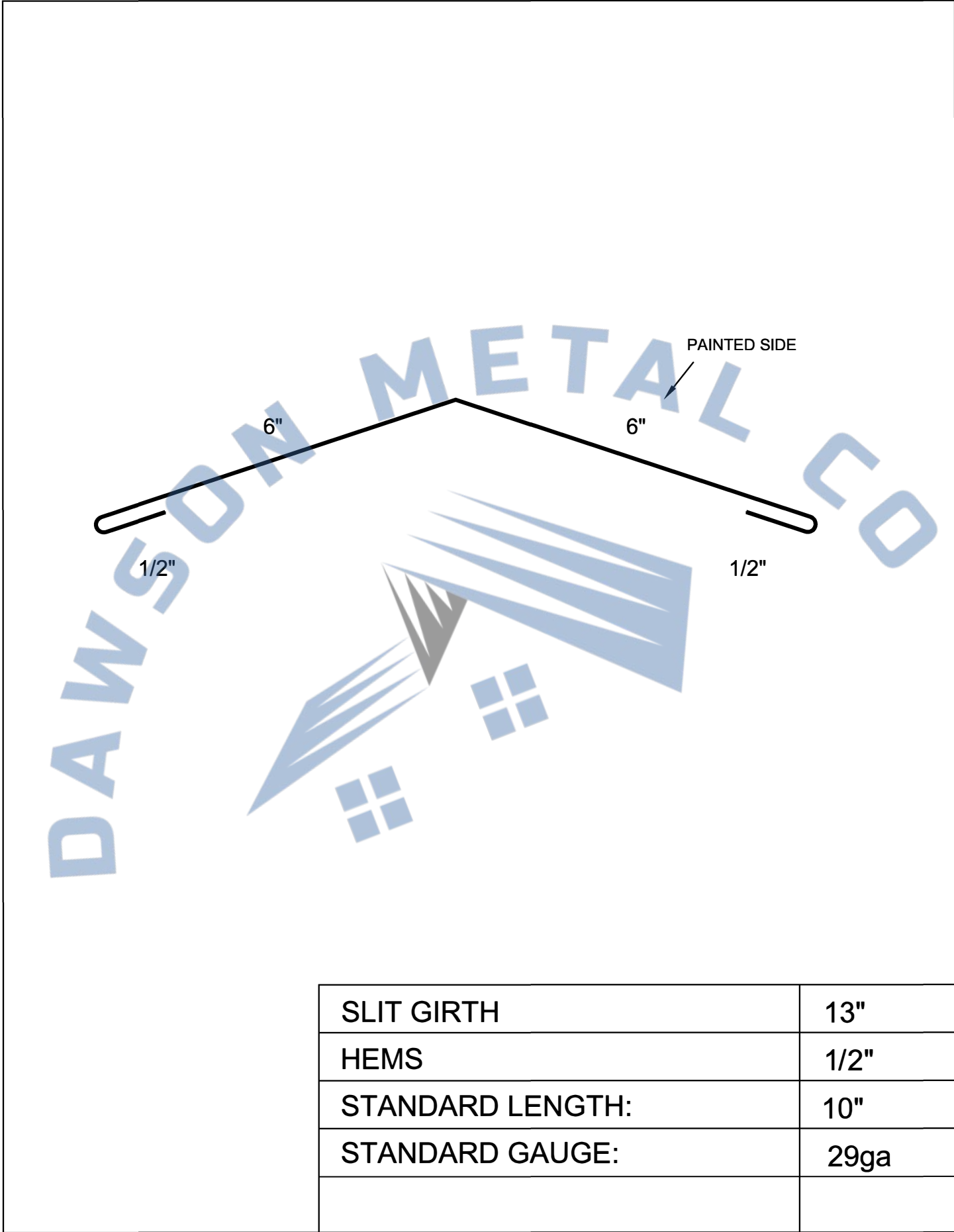
Post Frame Ridge Cap



Panel: MasterRib

Trim Section: Ridge Cap

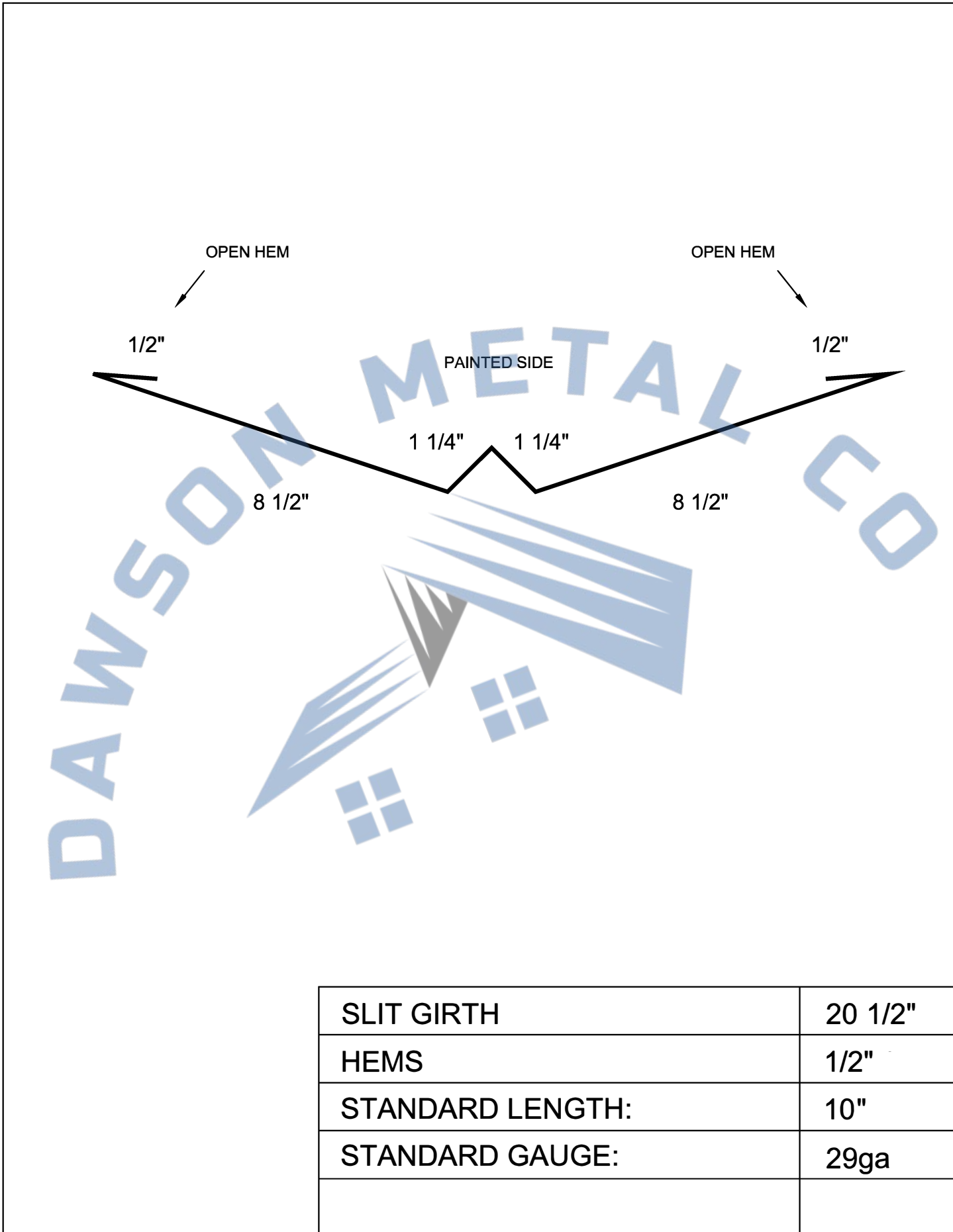
Hip Cap



Panel: MasterRib

Trim Section: Valley

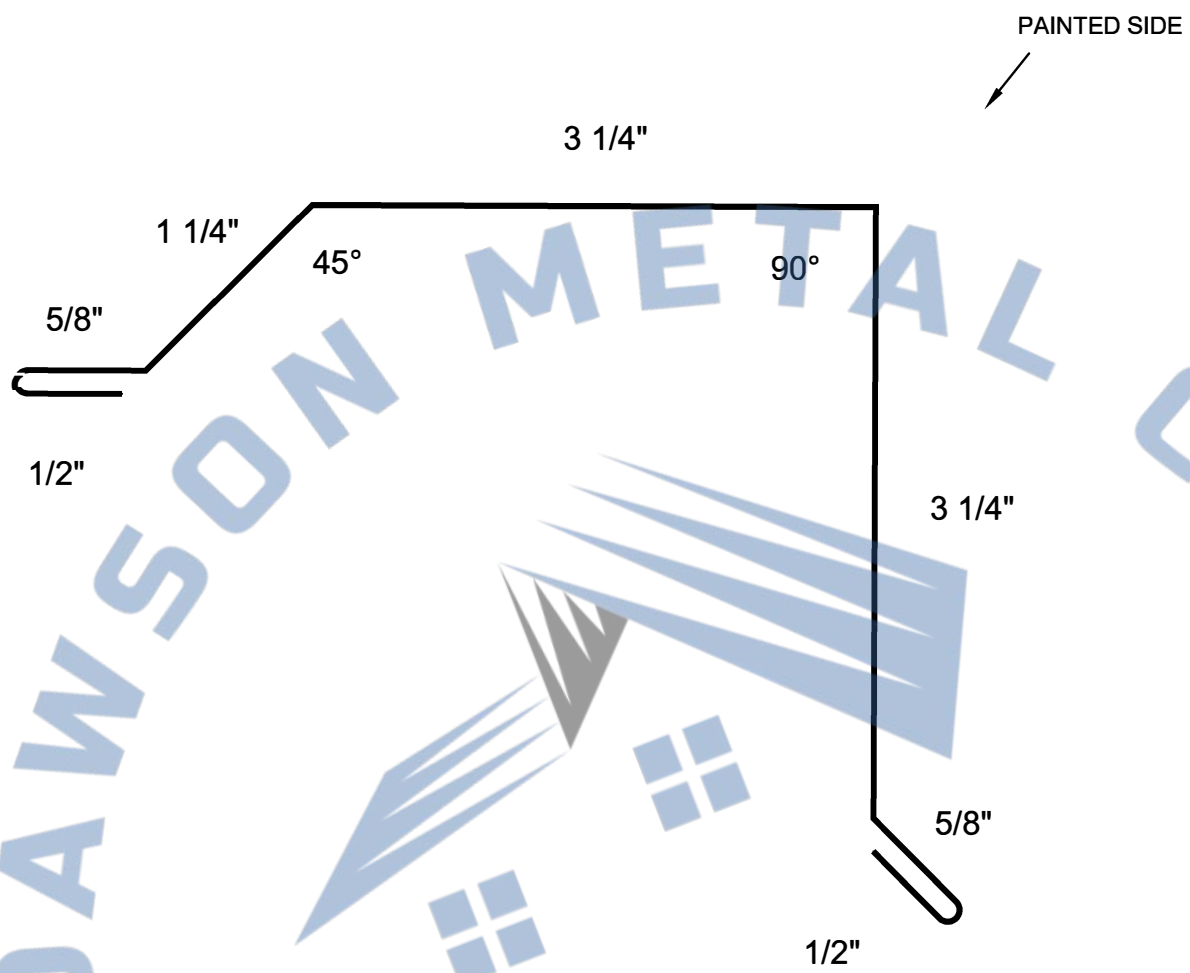
Valley



Panel: MasterRib

Trim Section: Rake Trim

Standard Rake Trim

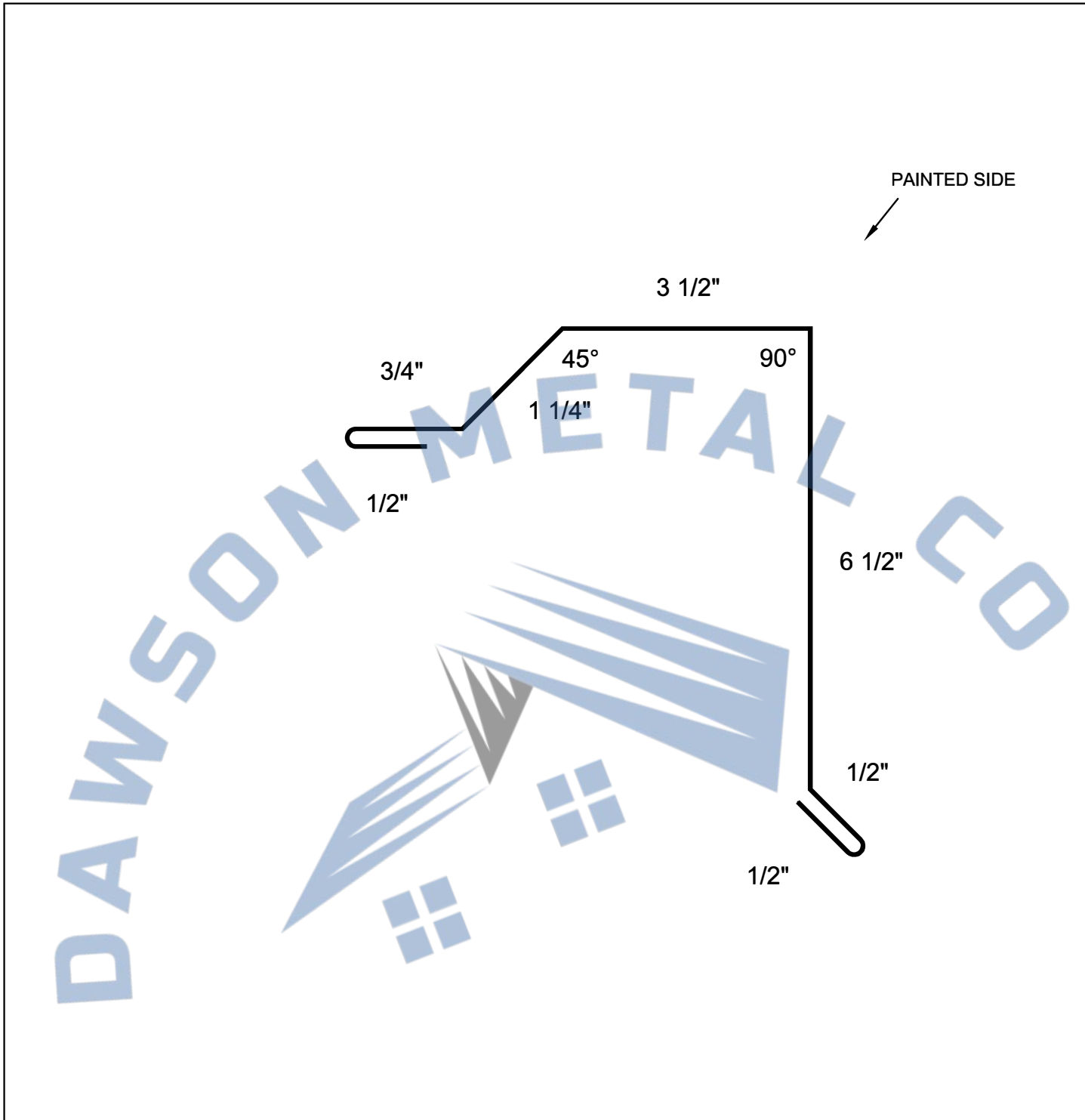


SLIT GIRTH	10"
HEMS	1/2"
STANDARD LENGTH:	10"
STANDARD GAUGE:	29ga

Panel: MasterRib

Trim Section: Rake Trim

Post Frame Rake

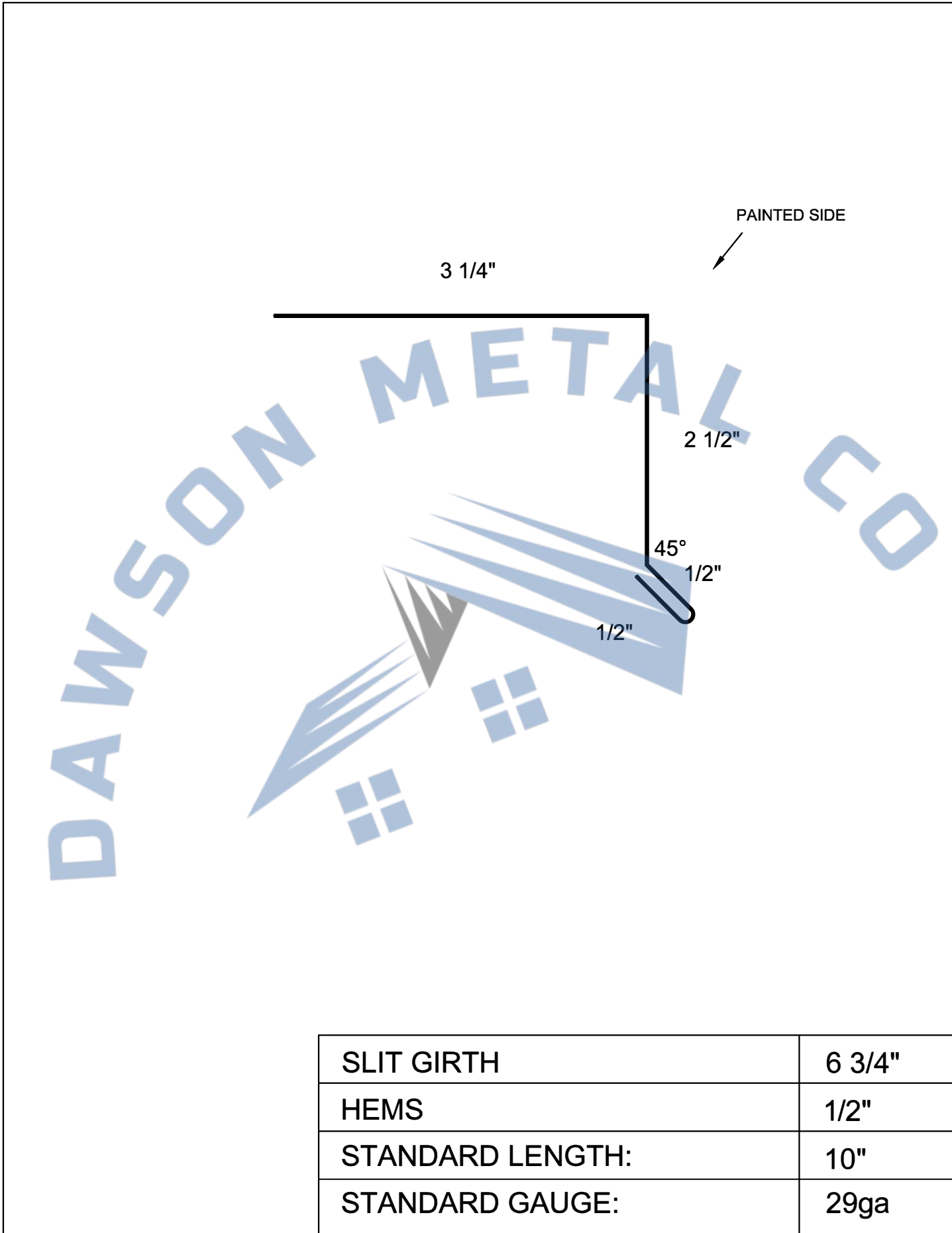


SLIT GIRTH	13 1/2"
HEMS	1/2"
STANDARD LENGTH:	10"
STANDARD GAUGE:	29ga

Panel: MasterRib

Trim Section: Eave Trim

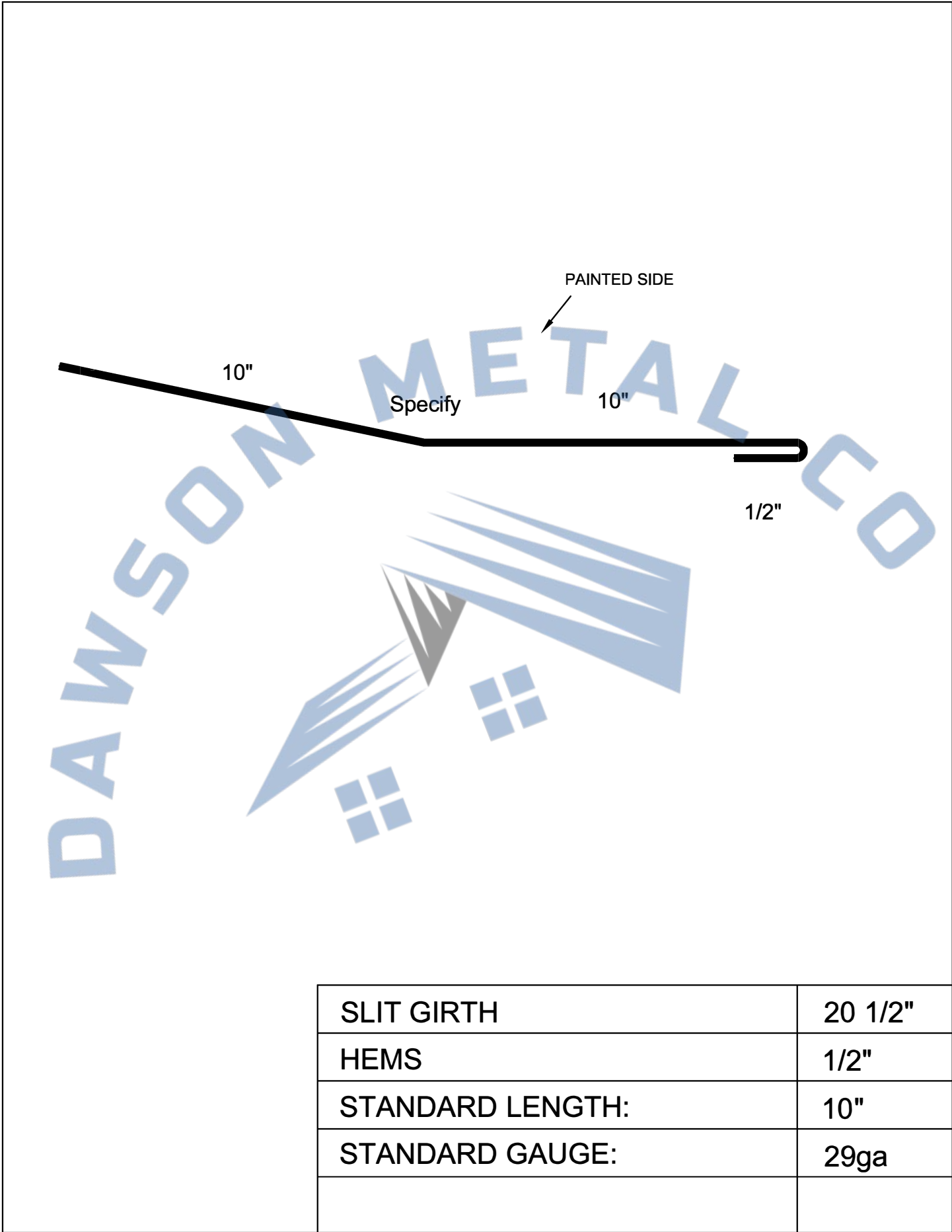
Eave Trim



Panel: MasterRib

Trim Section: Transition

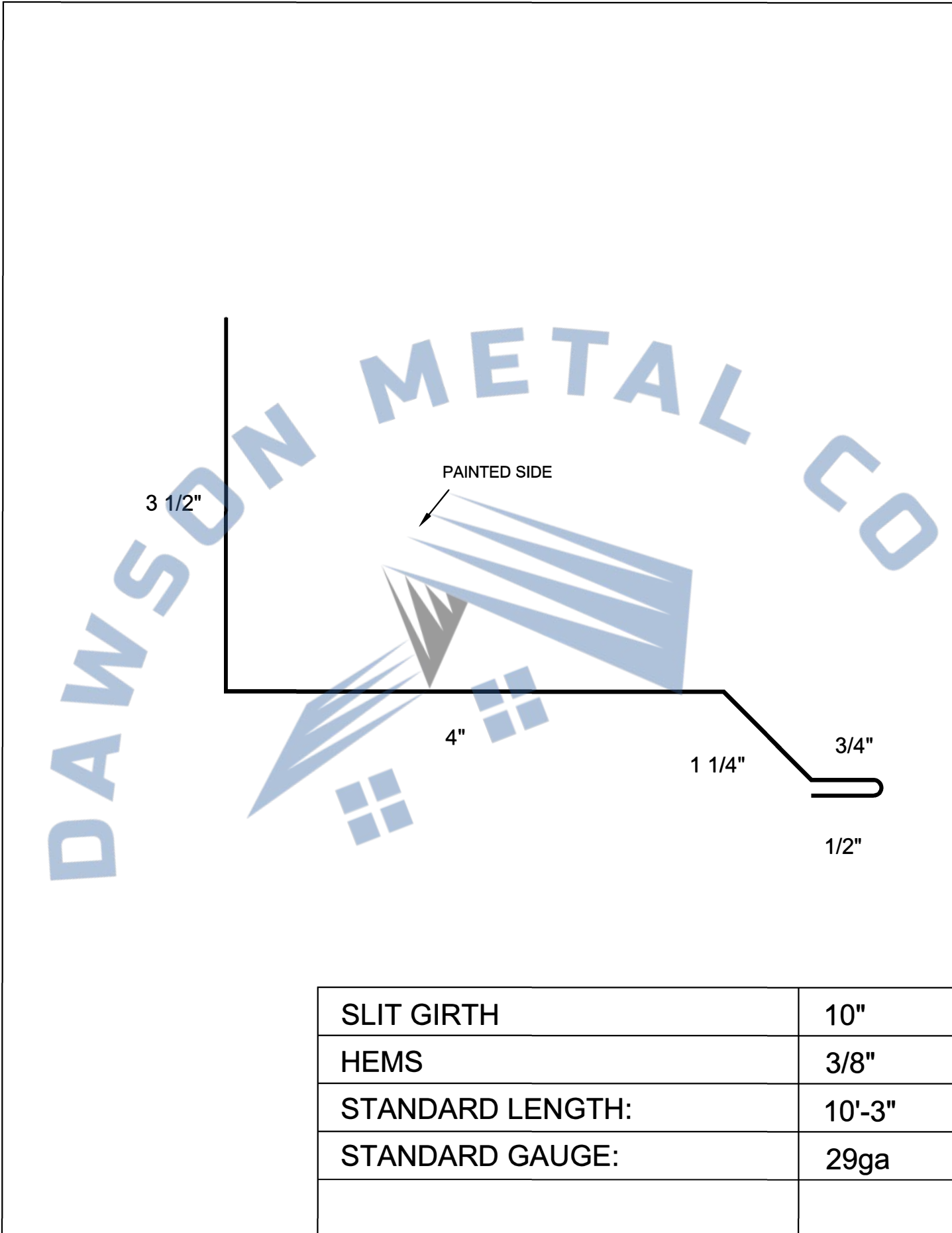
Transition



Panel: MasterRib

Trim Section: Transition

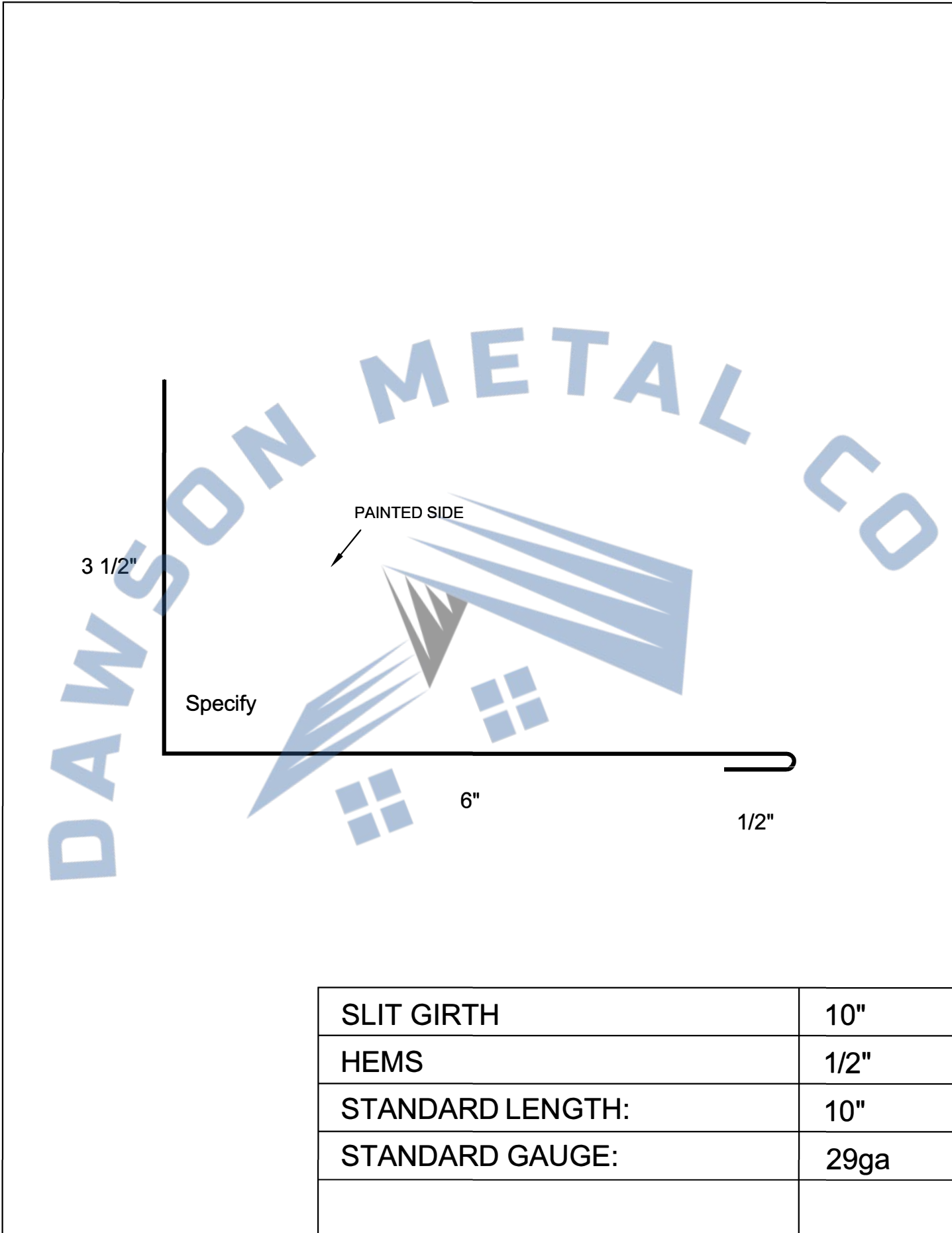
MR Sidewall



Panel: MasterRib

Trim Section: Transition

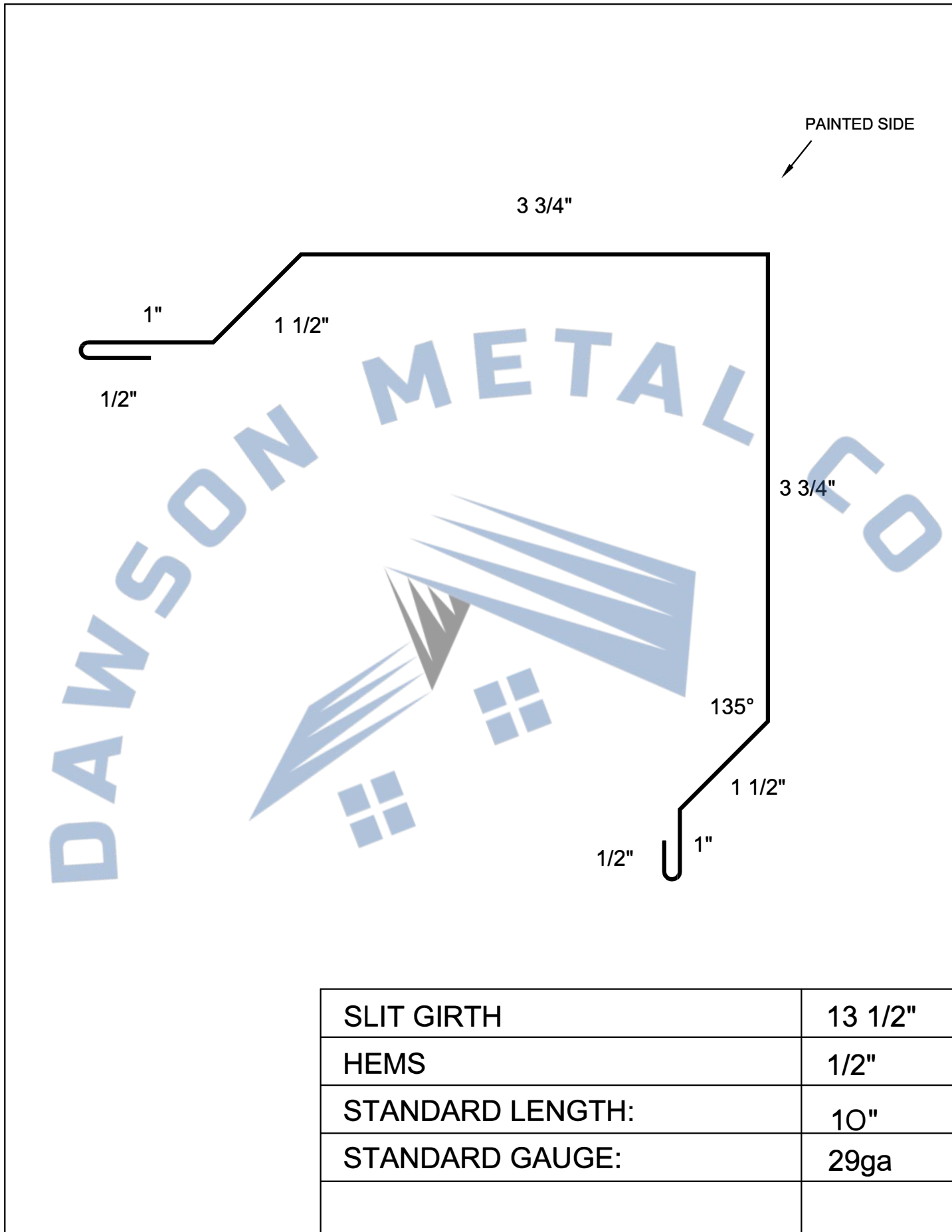
MR Endwall



Panel: MasterRib

Trim Section: Corner Trim

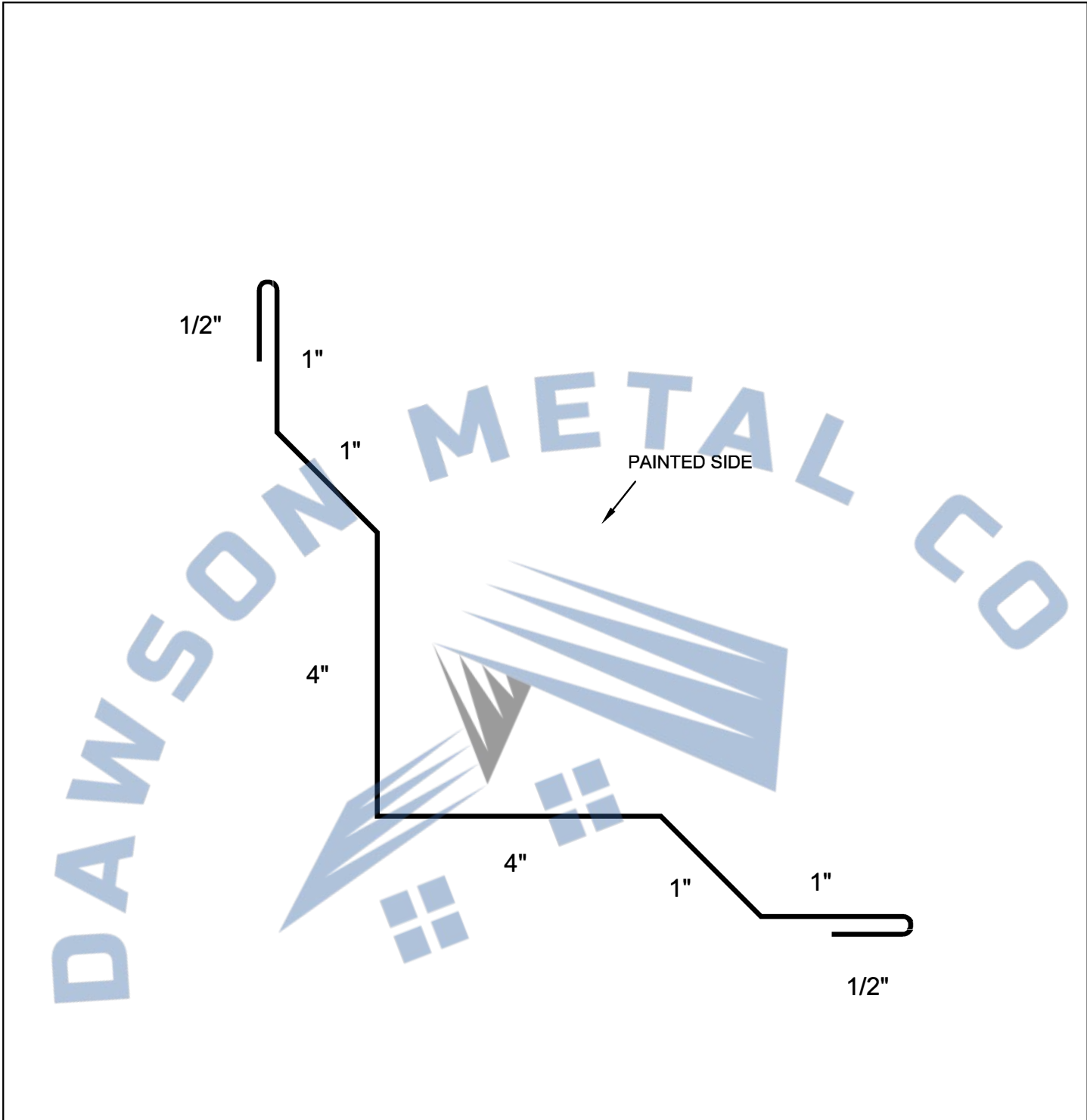
MR Outside Corner



Panel: MasterRib

Trim Section: Corner Trim

MR Inside Corner



SLIT GIRTH	13"
HEMS	1/2"
STANDARD LENGTH:	10"
STANDARD GAUGE:	29ga